



# Fast, Effective Impact Cleaning

## Toftejorg TZ-66 Rotary Jet Head

PD 66404 GB1 2003-08

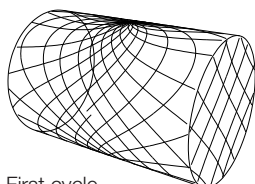
### Application

The Toftejorg TZ-66 rotary jet head provides 360° indexed impact cleaning over a defined time period. It is automatic and represents a guaranteed means of achieving quality assurance in tank cleaning. The device is suitable for processing, storage and transportation tanks and vessels between 250 and 1,250 m<sup>3</sup> (66,000 to 328,000 US gallons). Used in breweries, food and dairy processes and many other industries, the Toftejorg TZ-66 is particularly well-suited to portable applications where high impact is required.

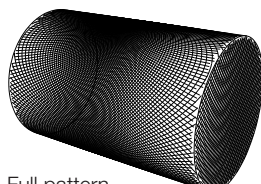
### Working Principle

The flow of the cleaning fluid makes the nozzles perform a geared rotation around the vertical and horizontal axes. In the first cycle, the nozzles lay out a coarse pattern on the tank surface. The subsequent cycles gradually make the pattern more dense, until a full pattern is reached after 8 cycles.

### Cleaning Pattern



First cycle



Full pattern

The above drawings show the cleaning pattern achieved on a cylindrical horizontal vessel. The difference between the first cycle and the full pattern represents the number of additional cycles available to increase the density of the cleaning.

### Standard Design

The choice of nozzle diameters can optimise jet impact length and flow rate at the desired pressure. Complete portable systems can comprise a four-wheel carriage and hose winch. As standard documentation, the Toftejorg TZ-66 can be supplied with a "Declaration of Conformity" for material specifications.

### Materials

1.4404 (316L), 1.4401 (316), PTFE, PVDF, PEEK, Carbon, Tefzel, TFM



### Technical Data

Weight:	11.8 kg (26 lbs)
Lubricant:	Self-lubricating with the cleaning fluid
Working pressure:	3 - 12 bar (44 - 174 psi)
Recommended pressure:	3 - 8 bar (44 - 116 psi)
Max. working temperature:	95 °C (203 °F)
Max. ambient temperature:	140 °C (284 °F)
Max. throw length:	9 - 29 m (29 - 95 ft)
Impact throw length:	5 - 15 m (16 - 49 ft)
Standard thread:	1" BSP or NPT, female

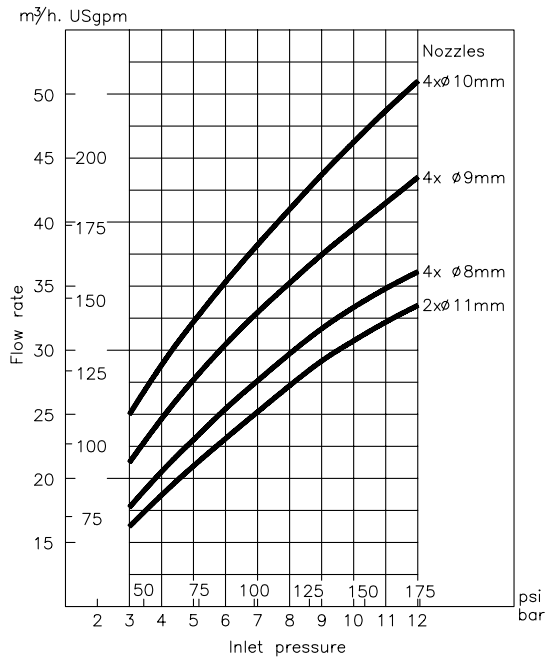
### Ordering

Please specify nozzle size, inlet/guide configuration and connections and confirm application suitability.

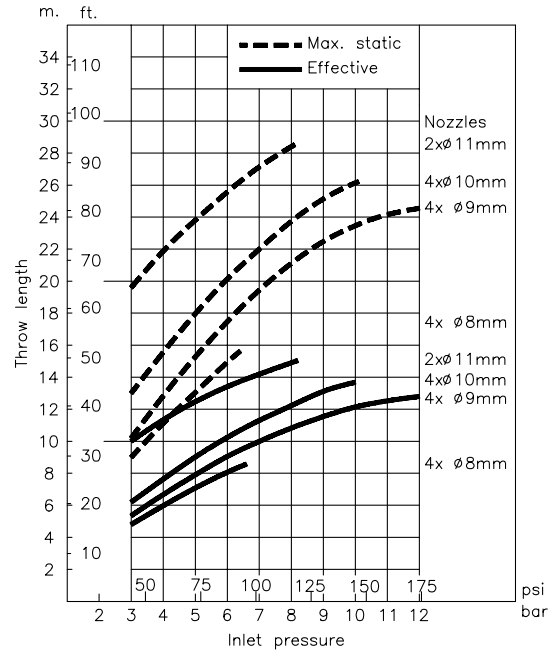
### Options

- Electronic rotation sensor to verify 360° coverage
- Hose with various connections

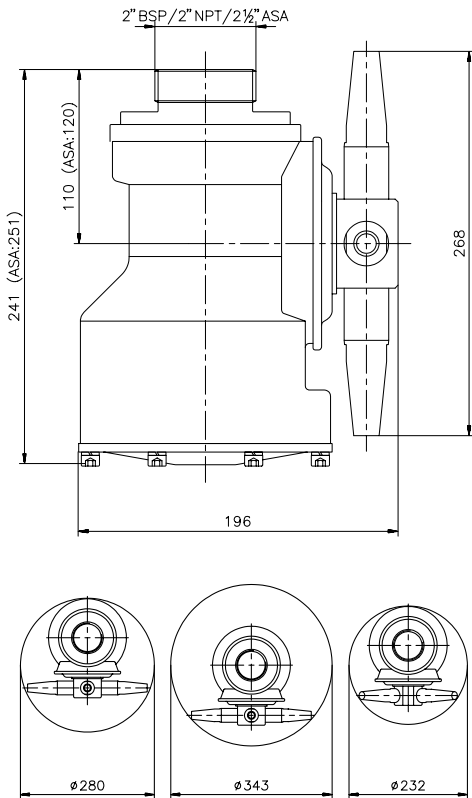
### Flow Rate



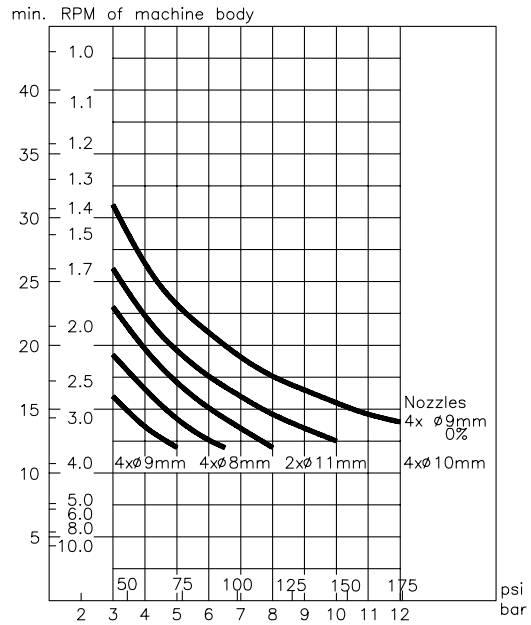
### Impact Throw Length



### Dimensions (mm)



### Cleaning Time, Complete Pattern



PD 66404 GB1 2003-08

The information contained herein is correct at the time of issue, but may be subject to change without prior notice.

#### How to contact Alfa Laval

Contact details for all countries are continually updated on our website. Please visit [www.alfalaval.com](http://www.alfalaval.com) or [www.toftejorg.com](http://www.toftejorg.com) to access the information direct.