

Hoses and Accessories

The Toftejorg hoses and accessories form an integrated part of the Toftejorg Tank Cleaning System and cover a full range of equipment for applications where a fixed installation is impossible, complicated or too costly.

Applications

Tanks, with difficult-to-clean inner structures, where the shielded areas are complicated to reach or where the nature of the product prevent the installation of fixed installed tank cleaning machines, can be cleaned by portable machines. Also tanks which are not often cleaned and tanks placed remote from the pump and water supply installation take advantage from the portable tank cleaning machines.

Operation

The portable tank cleaning machine is arranged on a flexible hose with embedded wires for electrostatic deviation to earth. A desk cover plate with a hose saddle protects the hose from collapsing and from damage caused by sharp edges on the tank entrance. In the event of long and difficult to handle hoses, both manual and pneumatic hose winches are available. Special sparkless tools for the hose connections prevent risk for explosion. Coating protectors or bumpers offers protection to the inner tank surfaces and safeguard the machine against external damage.

Options

The system covers a wide range of portable tank cleaning machines in both bronze and stainless steel, in sizes from 1½" to 2½" treaded connections for the hose couplings. Different tread standards are available, and hoses can be supplied in variable length from short spool pieces to 30 m length in both 1½" and 2" dimensions.

Y-pieces, hose connectors and adapters in both male and female for different tread connections, complete with the special anti static tools are also optional items. We offer installation drawings for the various applications, and the CAD system can provide shadow diagrams for individual installations.

Ordering Information

Please specify the size and the dimensions of the hoses and associated accessories.

Quality System

Toftejorg Tank Cleaning Equipment is produced in accordance with ISO 9001 International Quality Standard.

Information

Please ask your local Toftejorg sales office or representative for further information.

Toftejorg A/S

P.O. Box 1149
 Baldershøj 19
 DK 2635 Ishøj, Denmark
 Phone +45 4355 8600
 Fax +45 4355 8601
 E-mail toftejorg@toftejorg.com
 www.toftejorg.com



SPECIFICATIONS

.....

Hoses

Materials

EPDM with 4 layers of flexible reinforcement and 2 stainless steel wires

Sizes

1½" = ø54 x 38 mm, and
 2" = ø72 x 51 mm

Lengths

5, 10, 15, 20, 25 and 30 meters

Working pressure

18 bar (260 psi)

Burst pressure

70 bar (1,000 psi)

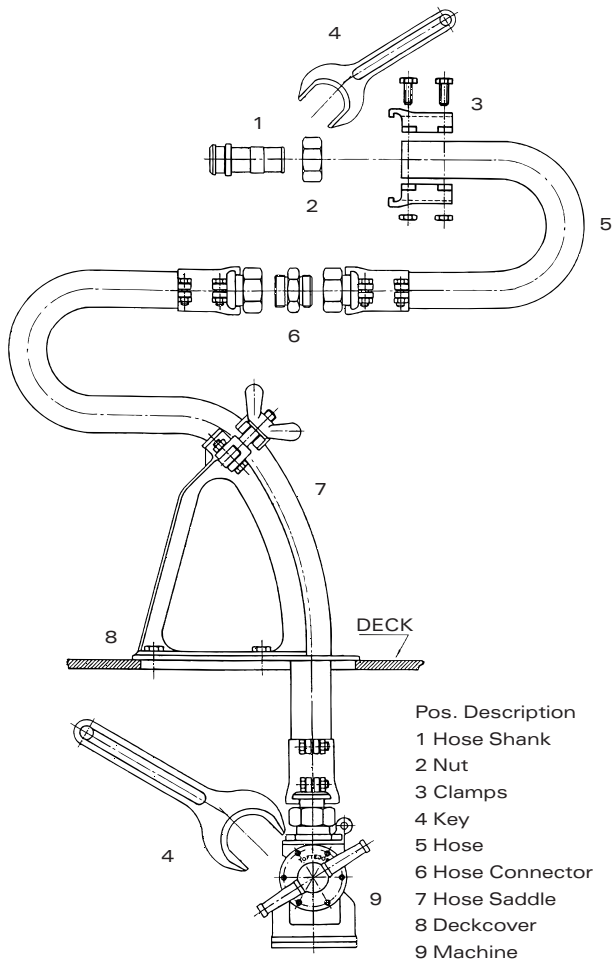
Temperature

95 °C (203 °F)

.....

Toftejorg

Hoses and Accessories



Toftejorg Couplings

Material	Bronze or stainless steel AISI 316
Sizes	1½" or 2"
Threads	1½" BSP or NPT 2" BSP or NPT 2½" ASA-B-26

Toftejorg Hose Saddles

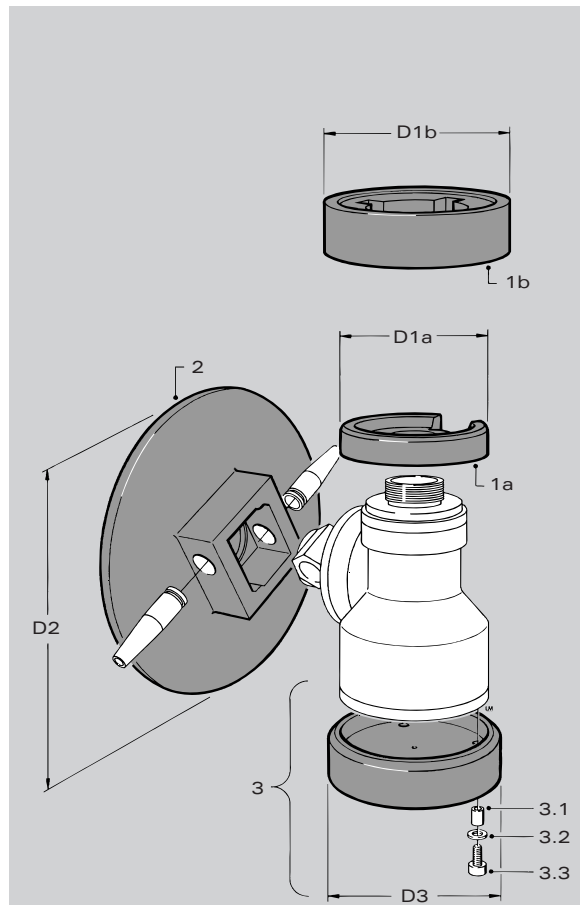
Material	Bronze
Sizes	For 1½" hose, height: 370 mm For 2" hose, height: 390 mm

Toftejorg Deckcover, Type GP

Material	Bronze
Sizes	Outer diameter 395 mm Pitch circle diameter 293 mm 4 x ø13 mm bolt holes for ø22 mm steering studs

Toftejorg Keys and Spanners

Material	Bronze
Available	Hook key for 2½" couplings 55 mm key for 1½" couplings 70 mm key for 2" couplings



Machine	Pos. No	Description	Dim.(D)
	1a	Top protector	ø118 mm
	2	Hub protector	ø280 mm
TZ-68/82	3	Bottom protector complete	ø143 mm
	3.1	Journal	
	3.2	Washer	
	3.3	Screw	

Required deck opening: Min. ø300 mm

Machine	Pos. No	Description	Dim.(D)
	1b	Top protector	ø150 mm
	2	Hub protector	ø340 mm
TZ-65/75	3	Bottom protector complete	ø175 mm
	3.1	Journal	
	3.2	Washer	
	3.3	Screw	

Required deck opening: Min. ø365 mm

Toftejorg reserves the right to change specification at any time without prior notice.